

## Final Review

The following worksheet is final review! It covers various topics that have been seen throughout the semester.

Your TA will not be able to get to all of the problems on this worksheet so feel free to work through the remaining problems on your own. Bring any questions you have to office hours or post them on piazza.

Good luck on the final and congratulations on making it to the last discussion of CS61A!

### Recursion

#### Q1: Paths List

(Adapted from Fall 2013) Fill in the blanks in the implementation of `paths`, which takes as input two positive integers `x` and `y`. It returns a list of paths, where each path is a list containing steps to reach `y` from `x` by repeated incrementing or doubling. For instance, we can reach 9 from 3 by incrementing to 4, doubling to 8, then incrementing again to 9, so one path is `[3, 4, 8, 9]`

```
def paths(x, y):
    """Return a list of ways to reach y from x by repeated
    incrementing or doubling.
    >>> paths(3, 5)
    [[3, 4, 5]]
    >>> sorted(paths(3, 6))
    [[3, 4, 5, 6], [3, 6]]
    >>> sorted(paths(3, 9))
    [[3, 4, 5, 6, 7, 8, 9], [3, 4, 8, 9], [3, 6, 7, 8, 9]]
    >>> paths(3, 3) # No calls is a valid path
    [[3]]
    """
    if _____
        return _____
    elif _____
        return _____
    else:
        a = _____
        b = _____
        return _____
```

# Mutation

## Q2: Reverse

Write a function that reverses the given list. Be sure to mutate the original list. This is practice, so don't use the built-in `reverse` function!

```
def reverse(lst):  
    """Reverses lst using mutation.  
  
    >>> original_list = [5, -1, 29, 0]  
    >>> reverse(original_list)  
    >>> original_list  
    [0, 29, -1, 5]  
    >>> odd_list = [42, 72, -8]  
    >>> reverse(odd_list)  
    >>> odd_list  
    [-8, 72, 42]  
    """  
    """  
    """  
    """*** YOUR CODE HERE ***"""
```

```
# You can use more space on the back if you want
```

# Trees

## Q3: Reverse Other

Write a function `reverse_other` that mutates the tree such that **labels** on *every other* (odd-depth) level are reversed. For example, `Tree(1, [Tree(2, [Tree(4)], Tree(3)])` becomes `Tree(1, [Tree(3, [Tree(4)], Tree(2)])`. Notice that the nodes themselves are *not* reversed; only the labels are.

```
def reverse_other(t):
    """Mutates the tree such that nodes on every other (odd-depth)
    level have the labels of their branches all reversed.

    >>> t = Tree(1, [Tree(2), Tree(3), Tree(4)])
    >>> reverse_other(t)
    >>> t
    Tree(1, [Tree(4), Tree(3), Tree(2)])
    >>> t = Tree(1, [Tree(2, [Tree(3, [Tree(4), Tree(5)]), Tree(6, [
    Tree(7)])]), Tree(8)])
    >>> reverse_other(t)
    >>> t
    Tree(1, [Tree(8, [Tree(3, [Tree(5), Tree(4)]), Tree(6, [Tree(7)
    ])]), Tree(2)])
    """
    "*** YOUR CODE HERE ***"

# You can use more space on the back if you want
```

## Linked Lists

### Q4: Multiply Links

Write a function that takes in a Python list of linked lists and multiplies them element-wise. It should return a new linked list.

If not all of the `Link` objects are of equal length, return a linked list whose length is that of the shortest linked list given. You may assume the `Link` objects are shallow linked lists, and that `lst_of_lnks` contains at least one linked list.

```
def multiply_lnks(lst_of_lnks):
    """
    >>> a = Link(2, Link(3, Link(5)))
    >>> b = Link(6, Link(4, Link(2)))
    >>> c = Link(4, Link(1, Link(0, Link(2))))
    >>> p = multiply_lnks([a, b, c])
    >>> p.first
    48
    >>> p.rest.first
    12
    >>> p.rest.rest.rest is Link.empty
    True
    """
    # Implementation Note: you might not need all lines in this
    # skeleton code

    ----- = -----
    for -----:
        if -----:
            -----
            -----
    -----
    -----
```

# Scheme

## Q5: Group by Non-Decreasing

Define a function `nondecreaselist`, which takes in a scheme list of numbers and outputs a list of lists, which overall has the same numbers in the same order, but grouped into lists that are non-decreasing.

For example, if the input is a stream containing elements

```
(1 2 3 4 1 2 3 4 1 1 1 2 1 1 0 4 3 2 1)
```

the output should contain elements

```
((1 2 3 4) (1 2 3 4) (1 1 1 2) (1 1) (0 4) (3) (2) (1))
```

**Note:** The skeleton code is just a suggestion; feel free to use your own structure if you prefer.

```
(define (nondecreaselist s)

  (if -----
      -----
      (let ((rest -----))
        (if -----
            (cons ----- rest)
            (cons ----- (cdr rest)))
        )
      )
  )

(expect (nondecreaselist '(1 2 3 1 2 3)) ((1 2 3) (1 2 3)))

(expect (nondecreaselist '(1 2 3 4 1 2 3 4 1 1 1 2 1 1 0 4 3 2 1))
        ((1 2 3 4) (1 2 3 4) (1 1 1 2) (1 1) (0 4) (3) (2) (1)))
```

## Environment Diagrams

### Q6: To Scheme An Environment Diagram

`mu`, implemented in the Scheme project as `MuProcedure`, allows us to create procedures that are *dynamically scoped*. This means that calling a `mu` procedure creates a new frame whose *parent* is the frame in which it was **called** (dynamic scoping).

In contrast, calling a `lambda` procedure creates a new frame whose *parent* is the frame in which it was **defined** (lexical scoping).

You can also find `mu` described in the [Scheme Specification](#).

For an interactive version of each diagram, copy-paste the code into 61A Code, and click the yellow bug icon on the top right. That icon starts up the debugger and environment diagram visualizer for [code.cs61a.org](http://code.cs61a.org).

Say that we are given the following section of code:

```
(define lamb2 (lambda (x) (+ x y)))
(define cow2 (mu (x) (+ x y)))
(define y 5)
(lamb2 1)
(cow2 1)
```

Running the full code results in this environment diagram:

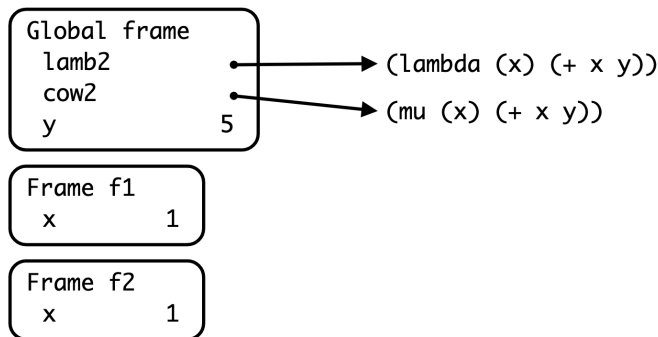


Diagram 1

What is the parent frame of frame f1?

What is the parent frame of frame f2?

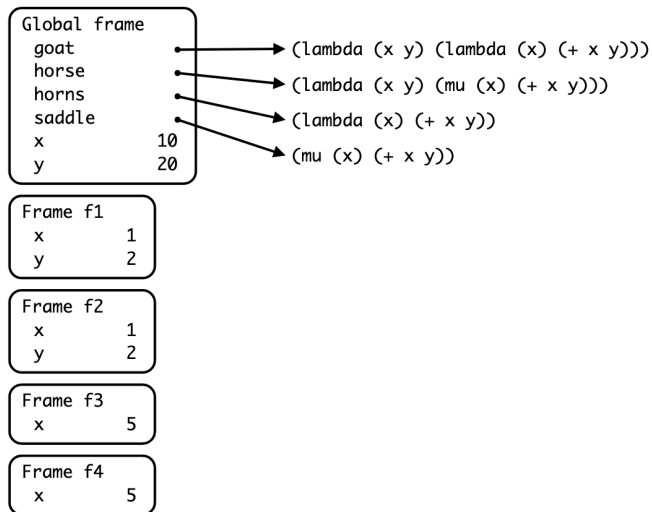
Now let's say we have the following section of code:

```

(define (goat x y) (lambda (x) (+ x y)))
(define (horse x y) (mu (x) (+ x y)))
(define horns (goat 1 2))
(define saddle (horse 1 2))
(define x 10)
(define y 20)
(horns 5)
(saddle 5)

```

Running the entire code block gives you the diagram:



**Diagram 2**

Which frame is created by the call to `(goat 1 2)`, and what is the parent of this frame?

What kind of procedure is `horns`, and what scoping rule does it use?

Which frame is created by the call to `(horse 1 2)`, and what is the parent of this frame?

What kind of procedure is `saddle`, and what scoping rule does it use?

Which frame is created by the call to `(horns 5)`, and what is the parent of this frame?

Which frame is created by the call to `(saddle 5)`, and what is the parent of this frame?

What would be the output of the lines `(horns 5)` and `(saddle 5)`?

Would there be any difference in output if `horse` was defined using a `lambda` as opposed to a `define`, e.g. `(define horse (lambda (x y) ...))`? If so, what?

## Programs as Data

### Q7: Or with Multiple Args

Implement `make-long-or`, which returns, as a list, a program that takes in any number of expressions and `or`'s them together (applying short-circuiting rules). This procedure should do this without using the `or` special form. Unlike the `make-or` procedure, the arguments will be passed in as a list named `args`.

The behavior of the `or` procedure is specified by the following doctests:

```
scm> (define or-program (make-long-or '((print 'hello) (/ 1 0) 3 #f)
))
or-program
scm> (eval or-program)
hello
scm> (eval (make-long-or '((= 1 0) #f (+ 1 2) (print 'goodbye))))
3
scm> (eval (make-long-or '((> 3 1))))
#t
scm> (eval (make-long-or '()))
#f
```

```
(define (make-long-or args)
  'YOUR-CODE-HERE

)

# You can use more space on the back if you want
```



# Regex

## Q8: Phone Number Validator

Create a regular expression that matches phone numbers that are 11, 10, or 7 numbers long.

Phone numbers 7 numbers long have a group of 3 numbers followed by a group of 4 numbers, either separated by a space, a dash, or nothing.

Examples: 123-4567, 1234567, 123 4567

Phone numbers 10 numbers long have a group of 3 numbers followed by a group of 3 numbers followed by a group of 4 numbers, either separated by a space, a dash, or nothing.

Examples: 123-456-7890, 1234567890, 123 456 7890

Phone numbers 11 numbers long have a group of 1 number followed by a group 3 numbers followed by a group of 3 numbers followed by a group of 4 numbers, either separated by a space, a dash, or nothing.

Examples: 1-123-456-7890, 11234567890, 1 123 456 7890

It is fine if spacing/dashes/no space mix! So 123 456-7890 is fine.

**Note:** The skeleton code is just a suggestion; feel free to use your own structure if you prefer.

```

import re
def phone_number(string):
    """
    >>> phone_number("Song by Logic: 1-800-273-8255")
    True
    >>> phone_number("123 456 7890")
    True
    >>> phone_number("1" * 11) and phone_number("1" * 10) and
    phone_number("1" * 7)
    True
    >>> phone_number("The secret numbers are 4, 8, 15, 16, 23 and 42
    (from the TV show Lost)")
    False
    >>> phone_number("Belphegor's Prime is
    100000000000006660000000000001")
    False
    >>> phone_number(" 1122334455 ")
    True
    >>> phone_number(" 11 22 33 44 55 ")
    False
    >>> phone_number("Tommy Tutone's '80s hit 867-5309 /Jenny")
    True
    >>> phone_number("11111111") # 8 digits isn't valid, has to be
    11, 10, or 7
    False
    """
    return bool(re.search(
    -----))

# You can use more space on the back if you want

```

# BNF

## Q9: Comprehension is Everything

(Adapted from Spring 2021 Final) The following EBNF grammar can describe a subset of Python list comprehensions, but cannot yet describe all of them.

```

start: comp

?comp: "[" expression "for" IDENTIFIER "in" IDENTIFIER "]"

expression: IDENTIFIER operation*

operation: OPERATOR NUMBER

IDENTIFIER: /[a-zA-Z]+/

OPERATOR: "*" | "/" | "+" | "-"

%import common.NUMBER
%ignore /\s+/

```

Select all of the non-terminal symbols in the grammar:

- comp
- expression
- operation
- NUMBER
- IDENTIFIER
- OPERATOR

Which of the following comprehensions would be successfully parsed by the grammar?

- `[x * 2 for x in list]`
- `[x for x in list]`
- `[x ** 2 for x in list]`
- `[x + 2 for x in list if x == 1]`
- `[x * y for x in list for y in list2]`
- `[x - 2 for x in my_list]`
- `[x - y for (x,y) in tuples]`

Recall that we can provide an optional `if` clause to the list comprehension which filters the resulting list based on the given condition. For example, an expression like `[x - 3 for x in list if x > 7]` is possible. Which line(s) would we need to modify to add support for the syntax described above, assuming that the conditional always compares an expression to a number?

- OPERATOR: "\*" | "/" | "+" | "-"
- IDENTIFIER: /[a-zA-z]+/
- operation: OPERATOR NUMBER

- `expression: IDENTIFIER operation*`
- `?comp: "[" expression "for" IDENTIFIER "in" IDENTIFIER "]"`

Now modify the selected line(s) so that it can parse the syntax described above.

We can also nest list comprehensions within list comprehensions. For example, `[[z * 2 for z in list] for x in [y + 1 for y in list2]]` is valid Python syntax. As we can see, the nested list comprehension can go into either the map expression or the iterable expression or both. Modify the grammar so that it can now parse nested list comprehensions.